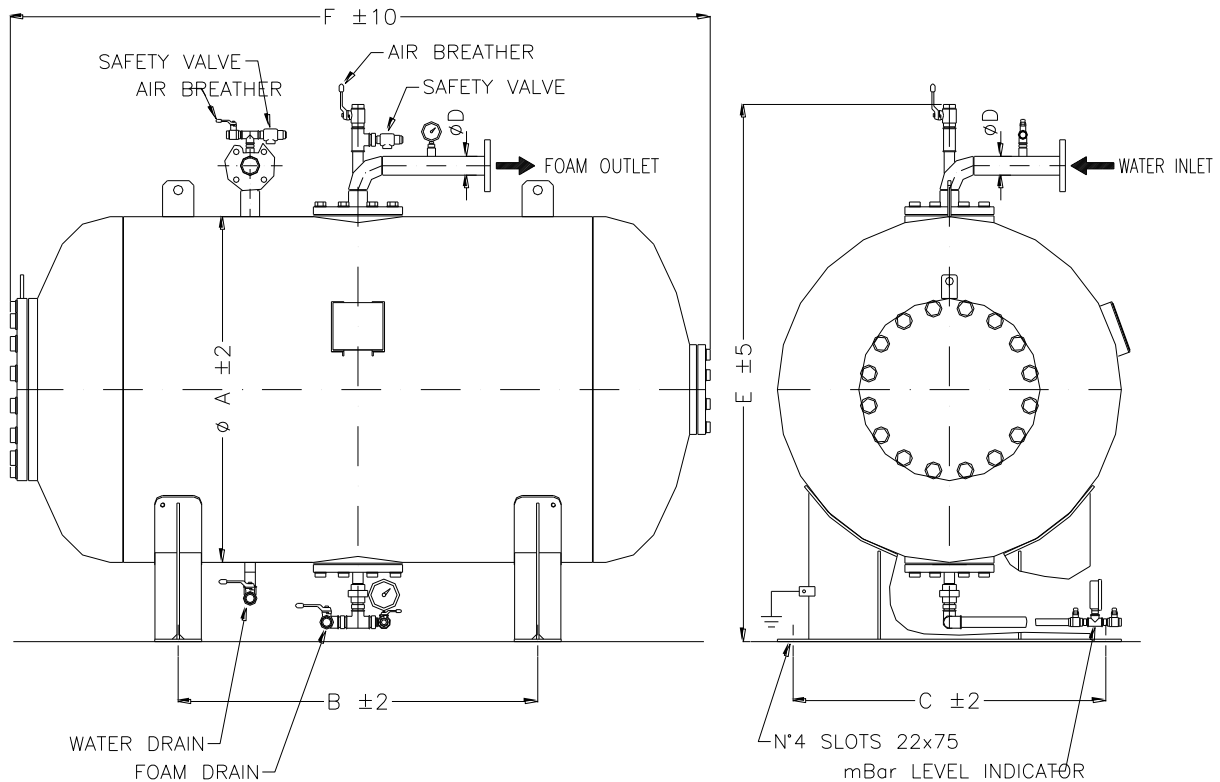
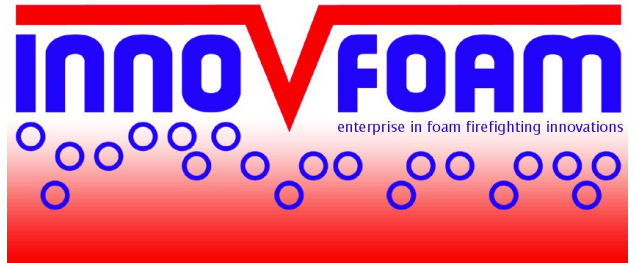
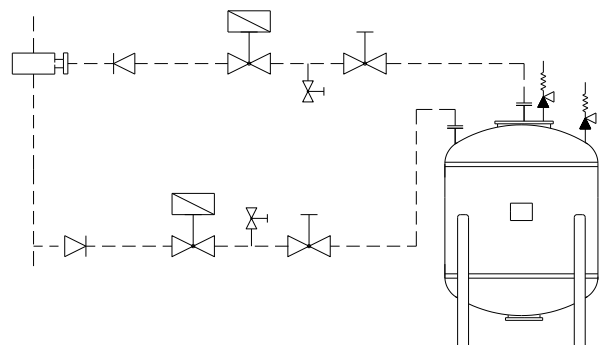


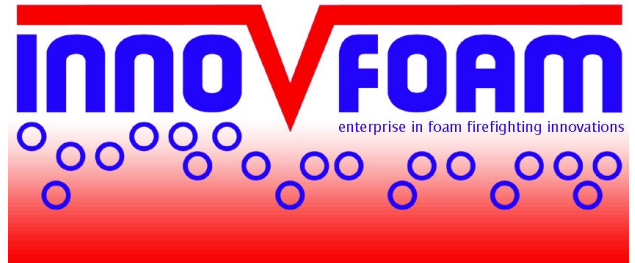
Horizontal Bladdertank



Construction code:	PED 97/23
	Optional ASME VIII div.1
Design pressure:	12 bar
Working pressure:	12 bar
Test pressure:	17,2 bar
Temperature range:	+0°C/+50°C
Material tank:	Steel ASTM A 517
Material flanges:	Steel ASTM A 105
Material valves:	Brass, nickel plated
Material manometers:	SS
Material safety valves:	Brass
Material foamside:	SS
Material bladder:	Hypalon-neopreen
External coating:	50 micron epoxy primer 50 micron polyuretan toplayer



Horizontal Bladdertank



Model	Dimensions						Working Weight Kg.
	Ø A	B	C	Ø D	E	F	
IHBT-1000	1000	700	900	DN50 / 2"	1610	1670	1750
IHBT-1250	1000	1000	900	DN50 / 2"	1610	1970	2165
IHBT-1500	1000	1100	900	DN50 / 2"	1610	2260	2450
IHBT-1750	1100	1100	1000	DN50 / 2"	1710	2270	3230
IHBT-2000	1100	1250	1000	DN50 / 2"	1710	2540	3300
IHBT-2500	1170	1350	1000	DN50 / 2"	1780	2785	4035
IHBT-3000	1270	1400	1150	DN50 / 2"	1885	2840	4720
IHBT-3500	1360	1450	1200	DN50 / 2"	1975	2900	5640
IHBT-4000	1450	1450	1250	DN50 / 2"	2065	2950	6310
IHBT-4500	1450	1600	1250	DN50 / 2"	2065	3215	6410
IHBT-5000	1600	1500	1400	DN50 / 2"	2220	3025	7685
IHBT-5500	1600	1700	1400	DN50 / 2"	2200	3240	7775
IHBT-6000	1750	1500	1500	DN50 / 2"	2370	3110	9060
IHBT-6500	1750	1500	1500	DN50 / 2"	2370	3225	9120
IHBT-7000	1750	1700	1500	DN65 / 2 1/2"	2390	3460	9230
IHBT-7500	1750	1900	1500	DN65 / 2 1/2"	2390	3655	9320
IHBT-8000	1960	1500	1700	DN65 / 2 1/2"	2605	3225	11770
IHBT-8500	1960	1500	1700	DN65 / 2 1/2"	2605	3375	11850
IHBT-9000	2100	1500	1850	DN65 / 2 1/2"	2740	3305	13590
IHBT-10000	2200	1500	1950	DN65 / 2 1/2"	2845	3365	14975
IHBT-11000	2200	1500	1950	DN65 / 2 1/2"	2845	3495	15070
IHBT-12000	2200	1800	1950	DN65 / 2 1/2"	2845	3765	15250